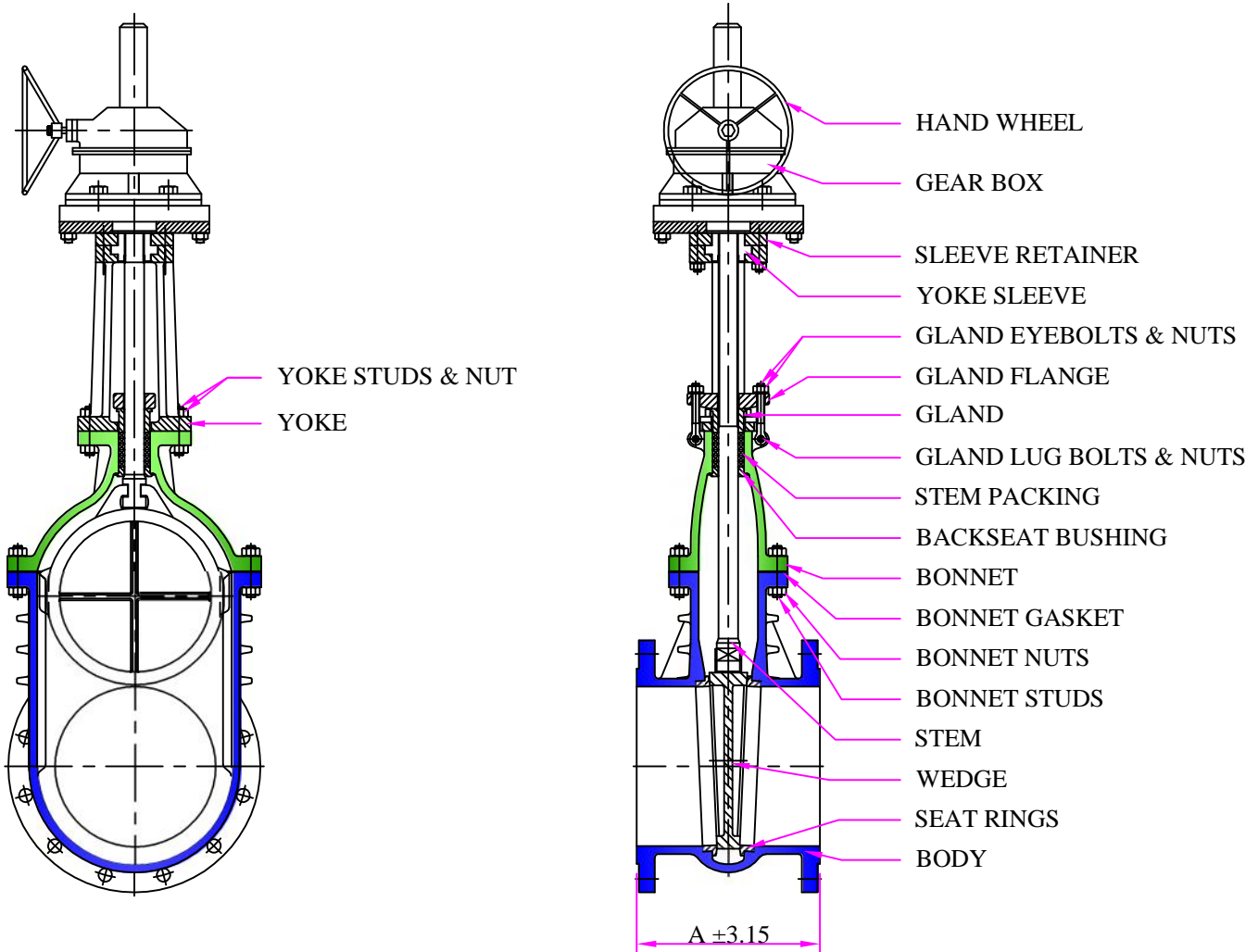


GATE VALVE

GEAR OPERATED

APPLICABLE STANDARD

DESIGN STD. : API 600/ API 6D/ BS 5155
 TESTING STD. : API 598/ BS 5146
 RATING : 150#/ 300#/ 600#
 DRILLING : AS PER ANSI B 16.5
 FACE TO FACE : AS PER ANSI B 16.10
 OPERATION : GEAR OPERATED
 END CONN. : FLANGED END (RF)



VALVE SIZE - INCH	1"	1.5"	2"	2.5"	3"	4"	6"
VALVE SIZE - MM	25	40	50	65	80	100	150
A	150 #	127.0	165.0	178.0	190.0	203.0	267.0
	300#	216.0	241.0	292.0	330.0	355.6	559.0
	600#	165.0	190.5	216.0	241.0	282.6	403.0



FLOW-TEK VALVES & CONTROLS INC

PLOT NO: 172-173, ROAD NO. 4, G.I.D.C.,
 KATHWADA, AHMEDABAD - 382430
 (M) : 09824080899, 09824539702
 PHONE : (079) 22900220, 22900219
 E-MAIL : info@flowagevalves.com, hemal21386@gmail.com
 url : www.delugecontrolvalve.com, www.flowagevalves.com
 AN ISO 9001:2008 CERTIFIED COMPANY